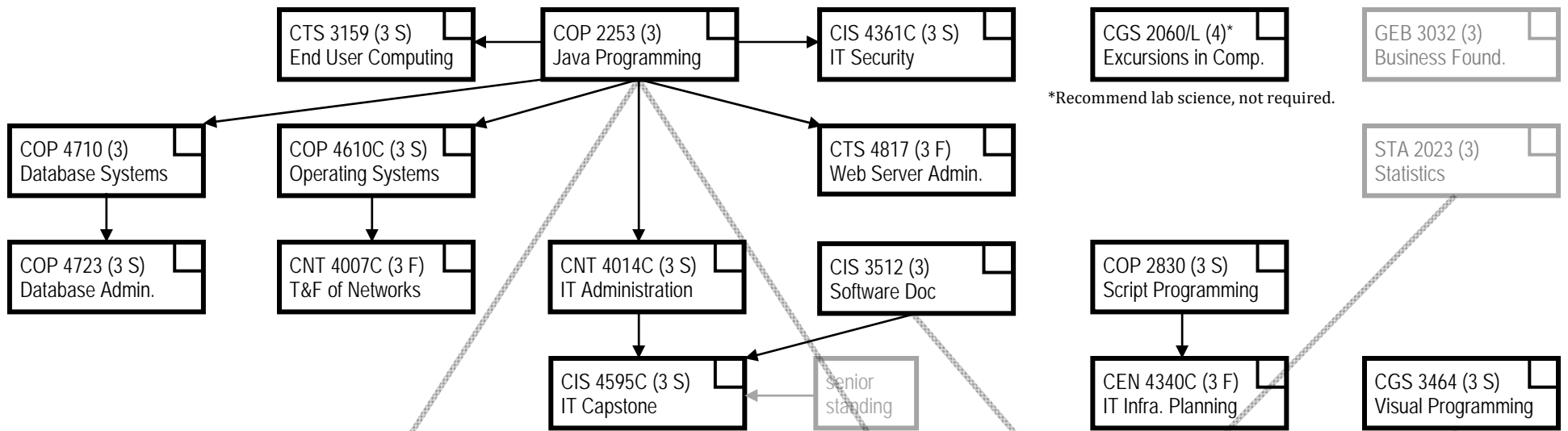
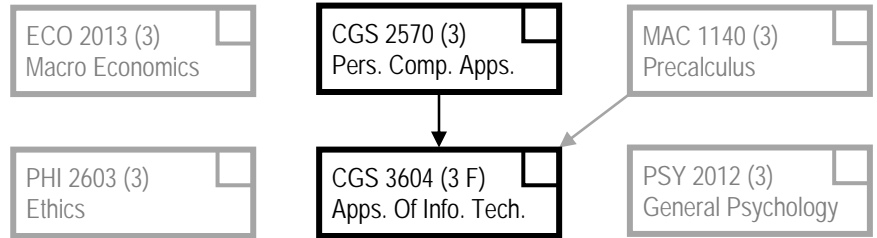


2010

# Information Technology - IT Specialization Curriculum Prerequisite Flowchart

Values in parenthesis indicate course hours and semesters the class is anticipated to be offered.

Name \_\_\_\_\_ SID \_\_\_\_\_ November 22, 2010



\*Recommend lab science, not required.

Choose any six classes from any areas as major related electives. They are grouped by type. A course number next to a category indicates it applies to all courses in that group; gray lines represent individual course pre-reqs.

Note that, with your existing coursework, by taking Data Mining you earn the database certificate, and by taking either Internet Programming or Web Server Technologies you earn the Web Development certificate.

<p><b>Gaming</b></p> <div style="border: 1px solid gray; padding: 5px; margin-bottom: 5px;">CAP 3028 (3)*** Intro to Game Prog.</div> <div style="border: 1px solid gray; padding: 5px; margin-bottom: 5px;">CAP 4029 (3) Game Prog. 2</div> <div style="border: 1px solid gray; padding: 5px; margin-bottom: 5px;">COT 3701C (3) Game Design</div> <p><b>Database</b></p> <div style="border: 1px solid gray; padding: 5px;">CAP 4770 (3 F)** Data Mining</div>	<p><b>Web Design</b></p> <div style="border: 1px solid gray; padding: 5px; margin-bottom: 5px;">CGS 3183 (3 S)*** Web Des. for eCom.</div> <div style="border: 1px solid gray; padding: 5px; margin-bottom: 5px;">CGS 3853 (3) Web Page Design</div> <p><b>Web Tech, any prog lang</b></p> <div style="border: 1px solid gray; padding: 5px; margin-bottom: 5px;">CIS 4340 (3 F)** Web Server Tech.</div> <div style="border: 1px solid gray; padding: 5px;">COP 3813 (3) Internet Programming</div>	<p><b>Graphics</b></p> <div style="border: 1px solid gray; padding: 5px; margin-bottom: 5px;">CAP 4033C (3) 3D Model. &amp; Anim.</div> <div style="border: 1px solid gray; padding: 5px; margin-bottom: 5px;">CGS 3523 (3) Comp. Graphics App.</div> <p><b>Other</b></p> <div style="border: 1px solid gray; padding: 5px; margin-bottom: 5px;">CEN 4400 (3)* Intro to Op. Research</div> <div style="border: 1px solid gray; padding: 5px;">CEN 4721 (3 F) Human-Comp. Inter.</div>	<p><b>Software Engineering</b></p> <div style="border: 1px solid gray; padding: 5px; margin-bottom: 5px;">CEN 3031 (3) Software Engr. 1</div> <div style="border: 1px solid gray; padding: 5px; margin-bottom: 5px;">CEN 3032 (3) Software Engr. 2</div> <div style="border: 1px solid gray; padding: 5px;">CEN 4053 (3) SE Management</div>	<p><b>Adv. Langs. COP 2253</b></p> <div style="border: 1px solid gray; padding: 5px; margin-bottom: 5px;">COP 3022/L (4 F)* Intermediate Prog.</div> <div style="border: 1px solid gray; padding: 5px; margin-bottom: 5px;">COP 4027/L (3 F) Adv. Comp. Prog.</div> <div style="border: 1px solid gray; padding: 5px; margin-bottom: 5px;">COP 4173 (3) Adv. Visual Prog.</div> <div style="border: 1px solid gray; padding: 5px;">COP 4814 (3 S)** Net-Centric Prog.</div>
--	--	---	--	---

\*Requires Business Calculus - MAC 2233 or higher  
\*\*Requires Database Systems - COP 4710  
\*\*\*Requires Personal Computer Applications - CGS 2570 or equivalent