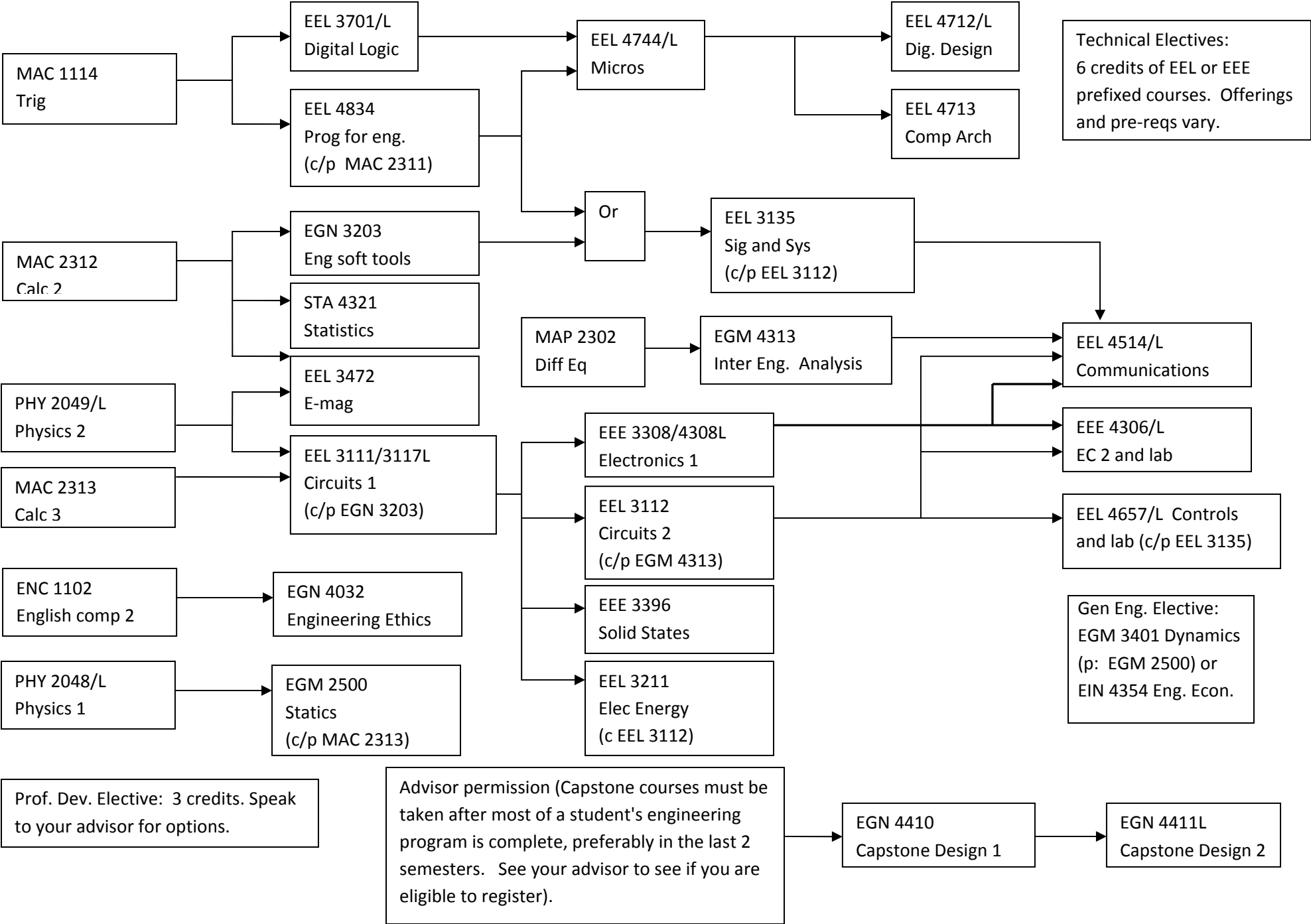
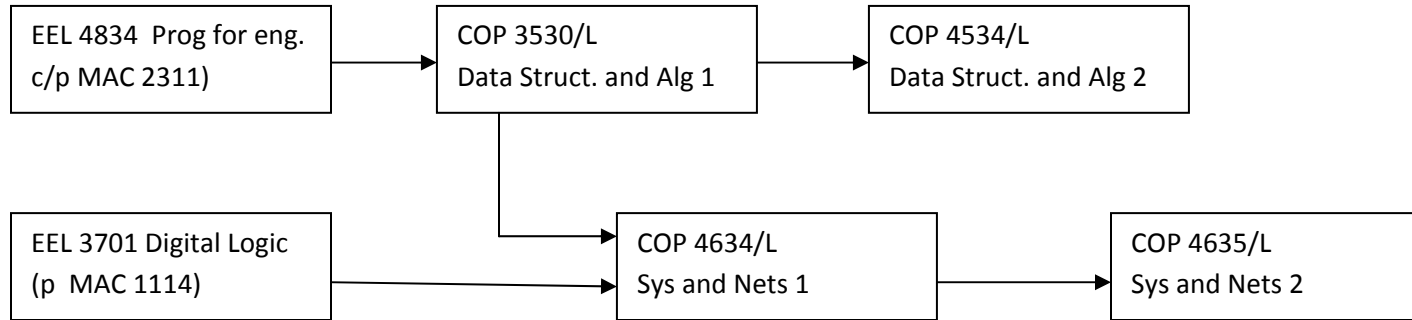


BSEE and BSCE (Two separate degrees) Flowchart of required engineering courses



BSEE and BSCE (Two separate degrees) Flowchart of required computer science courses



ECE/CS elective: 3 credits of EEL, EEE, COP, or COT prefixed courses. Offerings and prereqs vary. Speak to your advisor for options. Students with weak programming backgrounds should consider taking COP 3014/L, Algorithms and Prog Design, as this elective to further prepare them for the rigorous programming in COP 3530.

EEL/EEE/EGN/EGM course offerings by semester timetable – Note course offerings are subject to instructor availability and course enrollments. These are typical offerings and should not be taken as a guarantee of course availability.		
Fall	Spring	Summer
EEE 3308/4308L	EEE 3308/4308L	EEL 3112
EEE 3396	EEE 4306/4306L	EEL 3701/L
EEL 3111/3117L	EEL 3111/3117L	EGN 4032
EEL 3135	EEL 3112	Technical Electives
EEL 3211	EEL 3135	
EEL 3701/L	EEL 3472	
EEL 4514/L	EEL 4657/L	
EEL 4712/L	EEL 4713	
EEL 4744/L	EEL 4744/L	
EEL 4834	EEL 4834	
EGN 3203	EGN 1002	
EGN 4032	EGN 3203	
EGN 4410	EGN 4410	
EGN 4411L	EGN 4411L	
EGM 2500	EGM 3401	
EGM 4313	EGM 4313	
EIN 4354	Technical Elective	
Technical Elective		

UWF BS (two degrees) in EE and CE

(EFFECTIVE FALL 2009)

Lower Division Courses		CREDITS/ Min grade
ENC1101 and ENC 1102	English Composition I and II	6 /C-
Professional Development elective	Approved Elective – see list	3
General Studies - required for students entering without having earned an AA degree from a State of Florida institution or a BS degree from an accredited institution.	See latest catalog for details and your advisor for suggested courses	18/min grade varies
CHM2045, 2045L	Chemistry I	4/C
MAC2311, 2312, 2313	Analytic Geometry and Calculus	12/C
MAP2302	Elementary Differential Equations	3/C
PHY 2048/L**, 2049/L**	Physics with Calculus	8/C*
EEL 4834 (P:MAC1114) (C) MAC2311	Programming for Engineers	3/C
EGM 2500 (P:PHY 2048 C:MAC2313)	Elements of Statics	2
Minimum Total		59

Upper Division Courses * need average of C+ combined

EEL 3111/ 3117L (P: MAC2313,PHY2049/L**, C: EGN 3203)	Circuits 1 with lab	4/C
EEL 3112 (P: EEL3111 C: EGM4313)	Circuits 2	3/C
EEL 3135 (P: EEL4834, EGN 3203 C:EEL3112)	Discrete-Time Signals and Systems	3/C
EEE 3308/4308L (P: EEL3111 ,EEL 3117L, EGN3203)	Electronic Circuits 1 with lab	4/C
EEE 3396 (P: EEL3111)	Solid-State Electronic Devices	3/C
EEL 3472 (P: PHY2049, MAC 2312)	Electromagnetic Fields and Applications 1	3/C
EEL 3701/L (P: MAC 1114)	Digital Logic and Computer Systems	4/C
EEL 3211 (P: EEL3111 C: EEL3112)	Basic Electric Energy Engineering	3
EEE 4306/L (P: EEL3112, EEE 3308, 4308L)	Electronics Circuits 2	4
EEL 4514 (P: EEL3112, 3135, EGM 4313)	Communications Systems and Components	3
EEL 4514L (P: EEE3308/4308L, C: EEL 4514)	Communications Sys. and Components Lab	1
EEL 4657 (P: 3112, C: EEL3135)	Linear Control Systems	3
EEL 4657L (C: EEL 4657)	Linear Control Systems Lab	1
EEL 4712/L (P EEL 4744/L)	Digital Design	4
EEL 4713 (P: EEL 4744/L)	Digital Computer Architecture	3
EEL 4744/L (P: EEL3701/L, EEL 4834)	Microprocessor Applications	4/C
COP 3530,L (P:EEL 4834)	Data Structures 1	4/C
COP 4534, L (P: COP 3530)	Data Structures 2	4/C
COP 4634 ,L (P: EEL3701, COP 3530)	Systems and Networks 1	4/C
COP 4635, L (P:COP 4634)	Systems and Networks 2	4/C
CS/EEL Elective	See department/advisor for latest list of approved electives	3/ min grade varies
EGN 4032 (P: Jr. Standing, ENC 1102)	Professional Ethics	3
EGN 4410 (Advisor Approval)	Capstone Design I	1/C
EGN 4411L (P: EGN 4410)	Capstone Design II	2/C
Electives (any 3000 or higher EEL courses) (maximum of 3 sh in EEL4949 (co-op), Maximum of 3 sh in 4905(F/S), and maximum of 2 sh of EEL 4940 (internship), and maximum of 3sh in internship/co-op combined) **ONE DEGREE TWO MAJORS: 3 ELECTIVE CREDITS AND CS/EEL elective not required TOTAL CREDITS 144**		6
EGN 3203 (P:MAC 2312)	Software Engineering Tools	1/C
EGM 3401 (P: EGM 2500, MAC 2313) EIN 4354	Elements of Dynamics, or Engineering Economy	3
EGM 4313 (P:MAP 2302)	Intermediate Engineering Analysis	3/C
STA 4321 (P:MAC2312)	Mathematical Statistics	3/C
Total Upper Division		91
Total Lower Division		59
BSEE and BSCEN Total Credits		150

h/mydoc/flyers/dualdegreecourses.04.12 *pre-requisite courses to EEL/EEE courses need a "C" or higher (**except PHY2048/49 "D" or higher).