

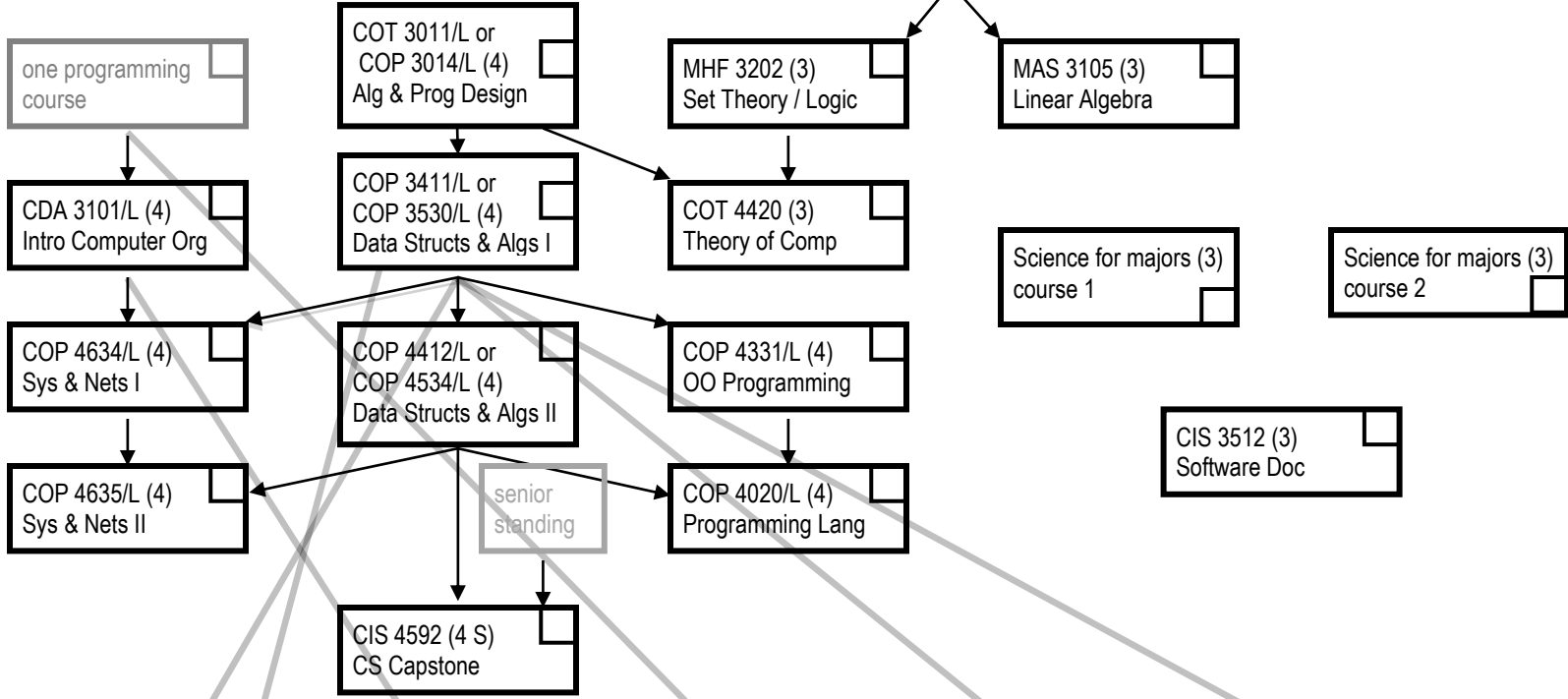
**2010 / 2012**  
**Computer Science Curriculum**  
**Prerequisite Flowchart**  
 Values in parenthesis indicate course hours.

**CS Minor**

Required Courses:  
 COP 3014/L  
 COP 3530/L

Advisor approved CS elective (3 hrs)

Select **one** of:  
 COP 4634/L  
 COP 4534/L  
 COP 4331/L  
 COT 4420



Choose four courses from any concentration area. However, it is recommended that you select two courses from the same area to focus your studies in the CS program.

For course offerings please click [here](#).

**Systems Security**

CNT 4403 (3)  
Sys & Net Security

CTS 4348 (3)  
Linux System Admin

**Control Systems Programming**

CDA 3990 (3)  
Control Sys Prog

CDA 4990 (3)  
Real Time Systems

**Database Systems**

COP 4710 (3)  
Database Systems

CAP 4770 (3)  
Data Mining

**Distributed Software Architecture**

COP 4856 (3)  
Distributed Arch I

COP 4857 (3)  
Distributed Arch II

**Artificial Intelligence**

CAP 4601 (3)  
Artificial Intelligence

CAP 4053 (3)  
AI for Interactive Env

**Computer Science Concentrations**